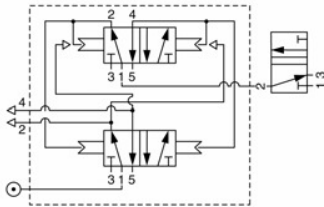
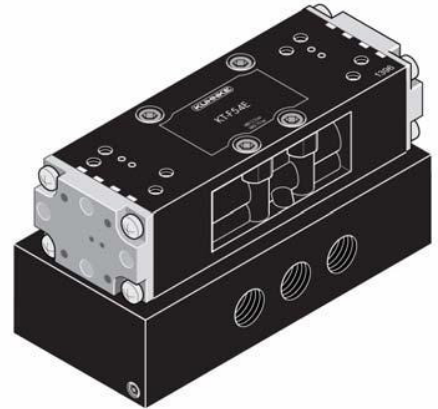


Flip Flop Valve, Pneumatic Actuation

Metric Ports **76083-89-42**

NPT Ports **75083-89-42**

The Monostable Flip-Flop valve provides a 5/3 switched output from an air pilot pulse signal of at least 300 ms in length. A pilot pressure is applied to the control port changing the valve output position. The output valve maintains position until the next pilot pulse signal is applied. The control pilot signal must be greater than 50% of the switched line pressure. Minimum operating pressure 2.5 bar.



Port Size- 1/4
Orifice- 8mm
Body No.- 5S
Dimensions-
108mm L x 50mm W x 54mm H.

Operating pressure range 2.5 to 10 bar. Actuation force (pilot pressure): 2.5 bar minimum.
Pilot port size is 1/8. Mounting via 4 through body holes 4.5mm Dia.

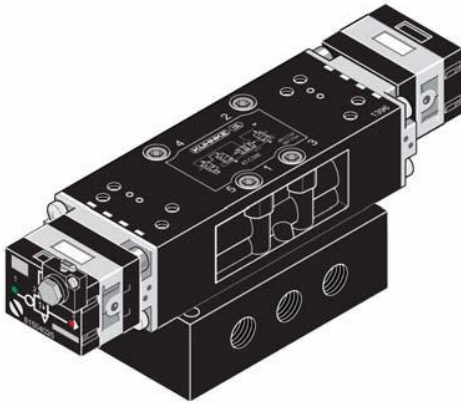
For valve specifications see appendix. For detail dimensions contact factory.

Pneumatically Operated Valves

Special Applications

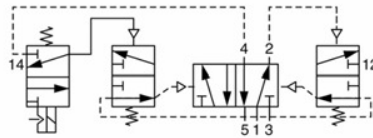
Kuhnke Power Valves

Oscillator Valve, Pneumatic Actuation



76083-90-42 Metric Ports
75083-90-42 NPT Ports

Valve can be used to oscillate a double acting cylinder. Applications include mixing, stirring or sawing devices where time critical cycling is not required. A pneumatic control signal applied to the control port starts valve oscillating. Speed is dependent on connected volume and line pressure, and can be controlled by the addition of flow control valves on the cylinder input ports. Typical speed is 16 cycles per minute at 6 bar.



Port Size- 1/8
Orifice- 6mm
Body No.- 8S
Dimensions-
170mm L x 50mm W x
54mm H.

Operating pressure range 2.5 to 10 bar. Actuation force (pilot pressure): 2.5 bar minimum.

Pilot port size is 1/8. Mounting via 4 through body holes 4.5mm Dia.

Oscillator valve will not operate if applied on vented applications such as an air motor. Working ports must have a connected defined volume.

For valve specifications see appendix. For detail dimensions contact factory.