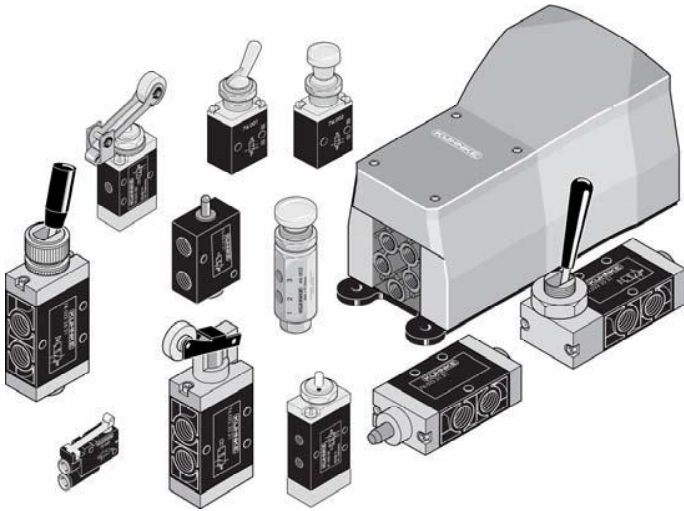


Kuhnke Pneumatic Products ..

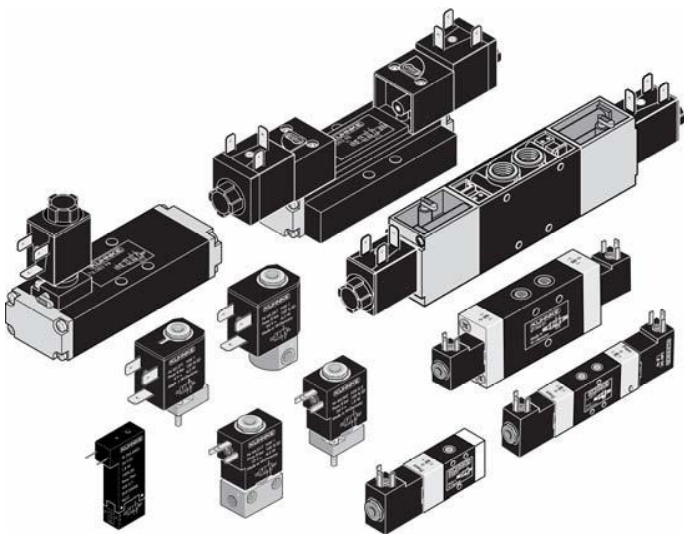
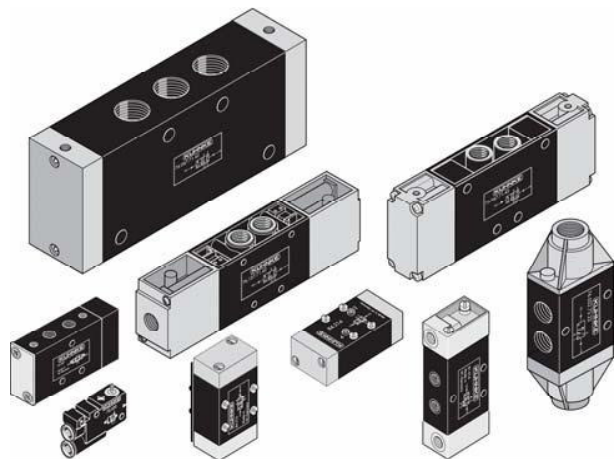


Mechanically and Manually Operated Valves

From micro valves through 1/4 ported, heavy duty foot pedals and just about every type of operator needed to fit your application.

Pneumatically Operated Valves

From low pressure amplifiers to 1/2 inch ported power valves in all types of configurations.

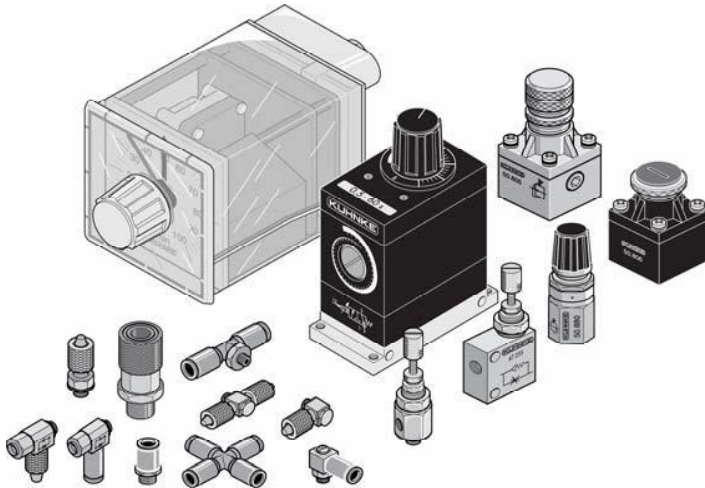
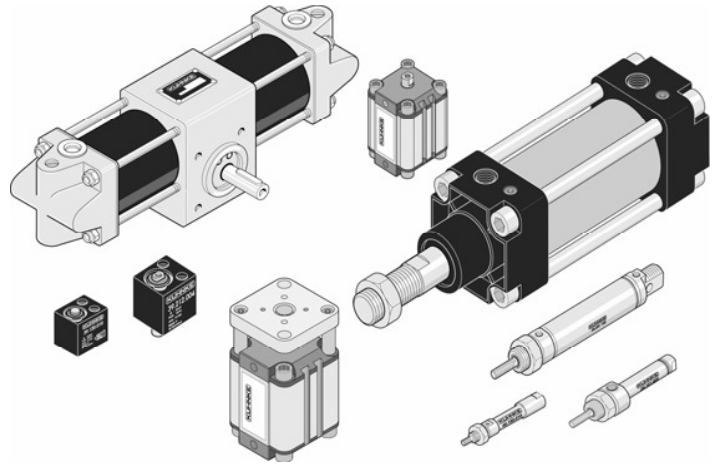


Electrically Operated Valves

A complete line of solenoid operated valves from 10mm wide bodies to 1/2 inch ported sizes. In spool as well as poppet designs.

Cylinders and Rotary Actuators

Cylinders from 3 to 200mm bores in brass, stainless or aluminum designs. Miniature short stroke cylinders and rotary actuators up to power size movers. And cylinders built to ISO 6431 and other important standards.



System Accessories

A wide range of pneumatic control system accessories including timers, counters, logic devices, precision regulators, flow controls and miniature pneumatic fittings.

Electronic/Pneumatic System Components

Valve islands incorporating I/O modules for Profi or CAN-open bus systems. Valve modules for ASi control systems. Smart cylinders incorporating electronics for bus systems and controllers for cylinder load/speed control.

