

Do your products require special ambient conditions and place high demands on the surface of the press you use? Does it have to be not only stainless and easy to clean and disinfect, but also impervious to the cleaning agents used?

This is where mäder **LAB presses** can be used.

LAB Press

- Basic body of chrome-plated aluminium
- All external parts of stainless steel or plastic
- Press rams TiN-coated
- Moving parts mounted in bushes of FDA-approved plastic

Variants

Instead of the standard **LAB press**, hand-operated presses from the standard range can also be adapted to your requirements.

- Standard hand-operated press models with nickel-plated cast body surface
- Press body of stainless steel

Just ask about feasibility.

Table 1

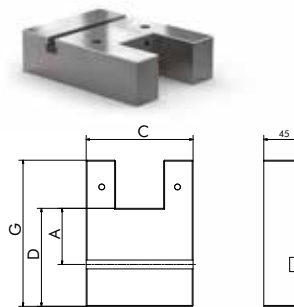


Table 2

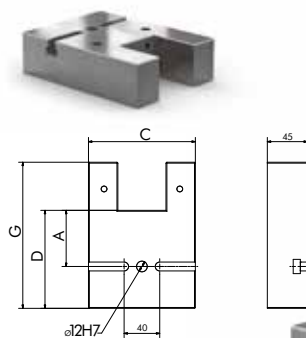
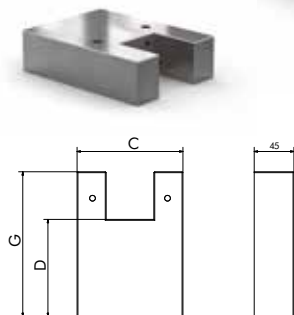
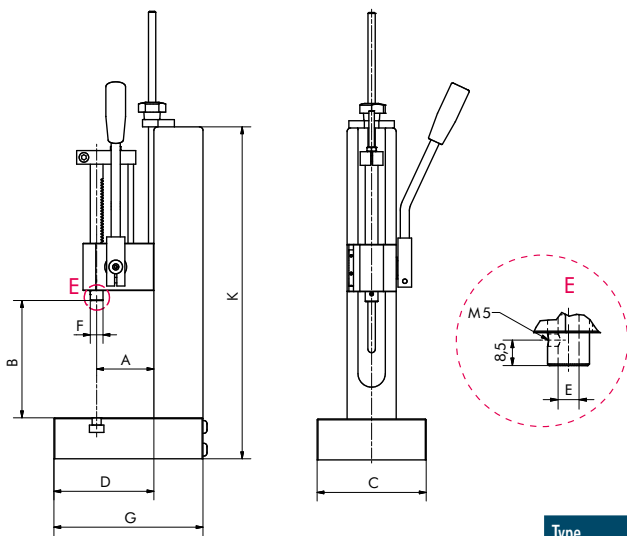


Table 3



LAB Press Z1-80



Example:
Standard press with chemically nickel-plated cast part, otherwise stainless steel.

Type			LAB Press Z1-80	LAB Press Z1-80 L
Capacity		N	750	750
Working stroke		mm	80	80
Throat	A	mm	63	63
Daylight	B	mm	45-250	45-350
Table size	CxD	mm	120 x 110	120 x 110
Ram bore \varnothing x Depth	E	mm	7H7 x 12	7H7 x 12
Ram \varnothing	F	mm	14	14
Stand height		mm	365	465
Space requirement	CxG	mm	120 x 164	120 x 164
Weight		kg	6.1	6.3
Table plate				
Table 1 T-slot T-slot width similar to DIN 650		mm	10	10
Table 2 T-slot with TB		mm	12H7	12H7
Table 3 plan				