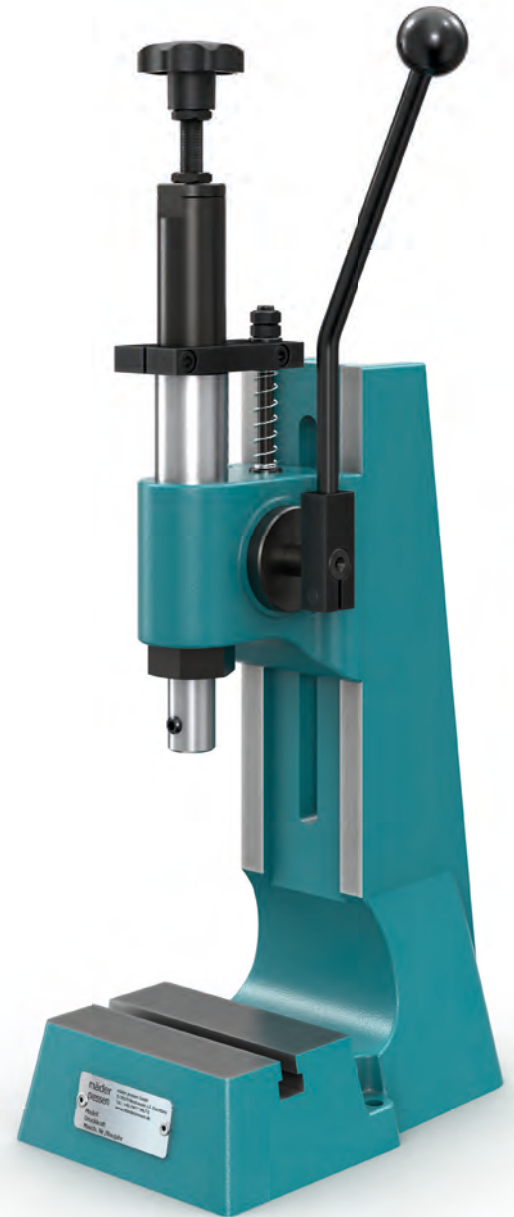
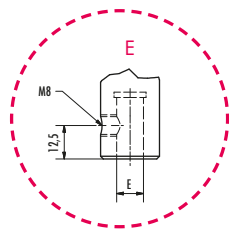
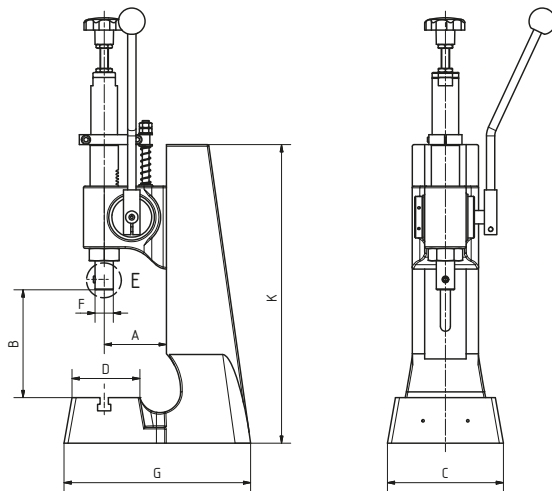


mäder impact presses

Ideal for stamping small quantities or for riveting.

The mode of operation is very simple: as soon as the ram with its clamped tool reaches the workpiece, a spring is tensioned by manual force on the hand lever. At the end of the spring-tensioning stroke, the stored spring energy is then abruptly transmitted to the workpiece. The impact force of the press can be infinitely set using the star knob.



Impact press
HP 200 FE

Type			HP 200 FE	HP 250 FE
Capacity		kN	5,5	5,5
max. working stroke		mm	60	60
Spring tensioning stroke		mm	20	20
Throat	A	mm	75	75
Daylight	B	mm	35 - 170	35 - 230
Table size	C x D	mm	80 x 120	80 x 120
Ram bore Ø x Depth	E	mm	10H7 x 25	10H7 x 25
Ram Ø	F	mm	22	22
Space requirement	C x G	mm	140 x 220	140 x 220
Daylight	K	mm	360	420
Weight		kg	ca. 20.0	ca. 20.5

Request CAD at www.maederpressen.de or directly from Tel. +49 (0)7467-9467-0