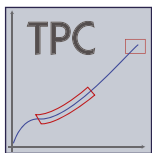
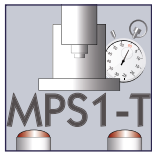
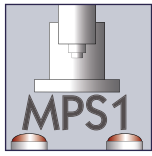
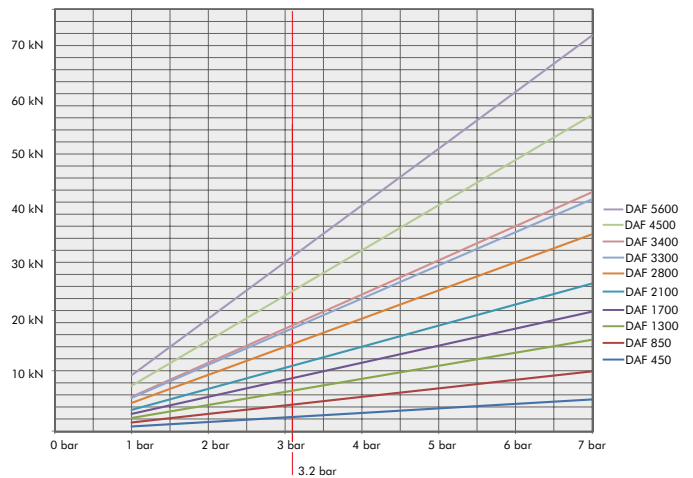


The accessories



DAF direct-acting press cylinders with flange have been designed for flexible use in special machines. DAF press cylinders come with all the advantages of modern pneumatic presses as standard:

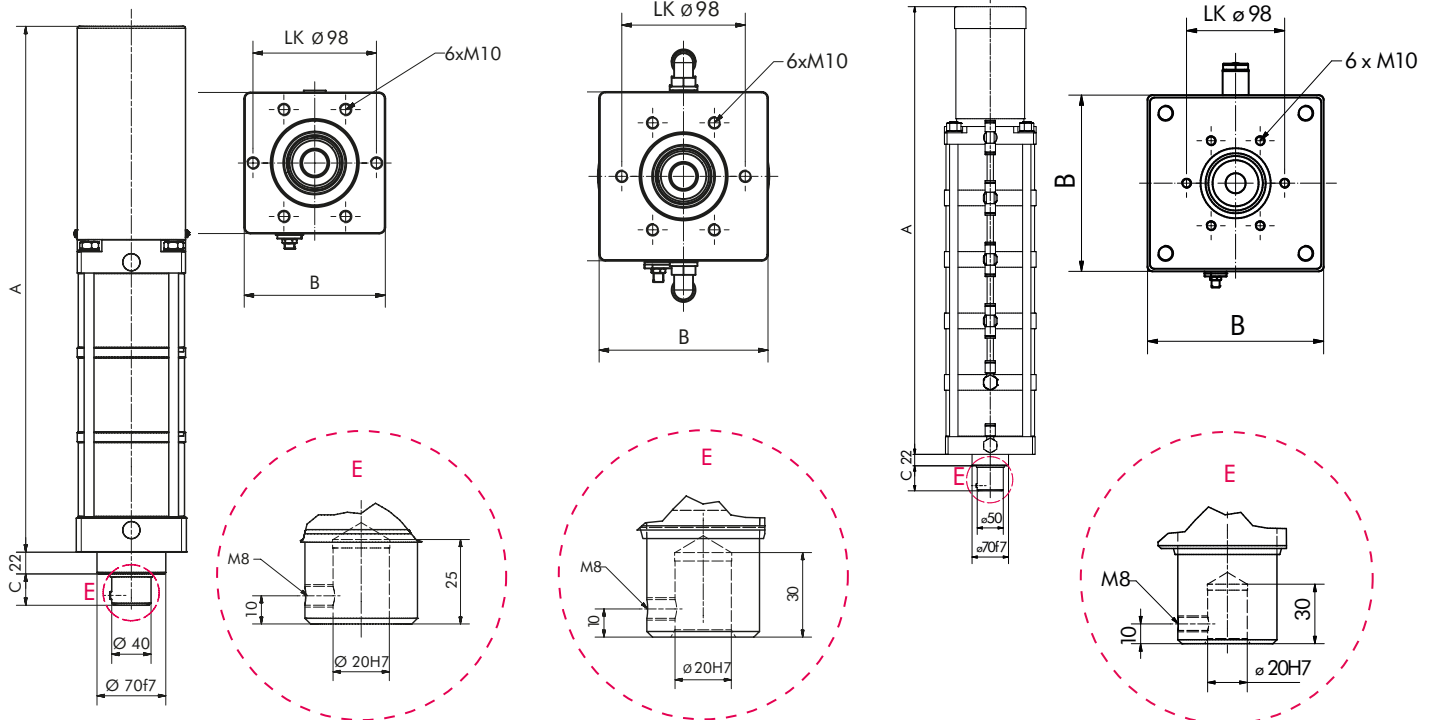
- ▶ Stepless adjustment of stroke length
- ▶ Adjustable end-position damping
- ▶ Tool mounting hole
- ▶ Easy to automate



DAF 450
DAF 850
DAF 1300
DAF 1700

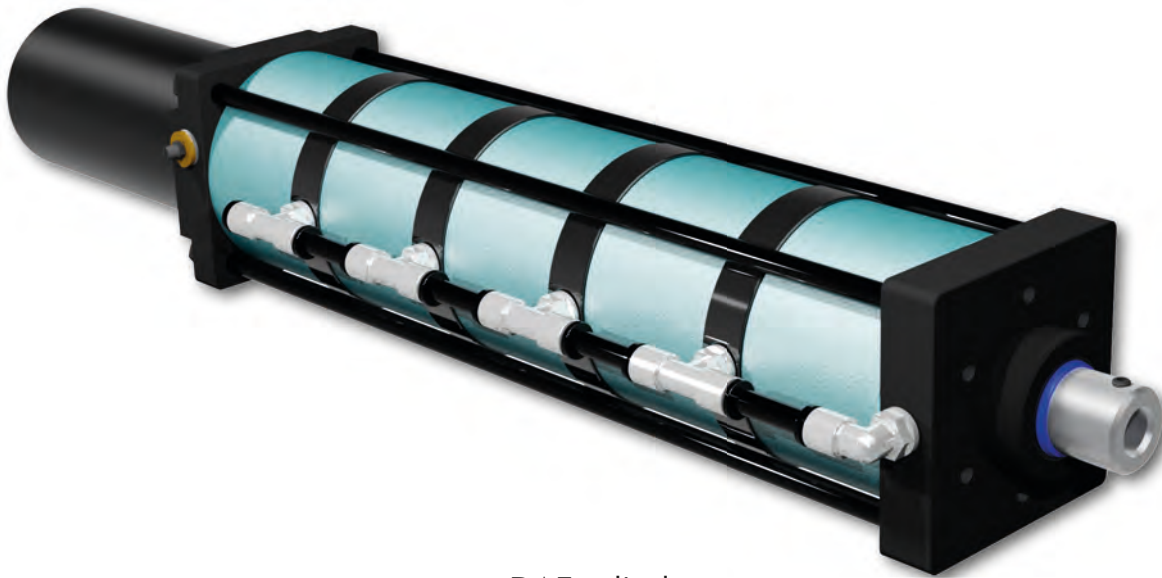
DAF 2100
DAF 2800
DAF 3400

DAF 1100
DAF 2200
DAF 3300
DAF 4500
DAF 5600



For details of fine stroke adjustment see page 37.

Request CAD at www.maederpressen.de or directly from Tel. +49 (0)7467-9467-0



DAF cylinders

Type		DAF 450	DAF 850	DAF 1300	DAF 1700
Capacity at 6 bar	kN	4,5	8,5	13	17
Return force at 6 bar	kN	4	4	4	4
Stroke max.*	mm	40/60/80/100/120	40/60/80/100/120	40/60/80/100/120	40/60/80/100/120
A at 40 mm stroke	mm	363	449	535	621
Surcharge/20 mm more stroke	mm	20	40	60	80
B	mm	112	112	112	112
C	mm	32	32	32	32

Type		DAF 2100	DAF 2800	DAF 3400
Capacity at 6 bar	kN	21	28	34
Return force at 6 bar	kN	20	27	33
Stroke max.*	mm	40/60/80/100/120	40/60/80/100/120	40/60/80/100/120
A at 40 mm stroke	mm	581	689	797
Surcharge/20 mm more stroke	mm	60	80	100
B	mm	134	134	134
C	mm	38	38	38

Type		DAF 1100	DAF 2200	DAF 3300	DAF 4500	DAF 5600
Capacity at 6 bar	kN	11	22	33	45	56
Return force at 6 bar	kN	10	10	10	10	10
Stroke max.*	mm	40/60/80/100/120	40/60/80/100/120	40/60/80/100/120	40/60/80/100/120	40/60/80/100/120
A at 40 mm stroke	mm	387	505	623	741	859
Surcharge/20 mm more stroke	mm	20	40	60	80	100
B	mm	172	172	172	172	172
C	mm	48	48	48	48	48

* Specify the stroke length when ordering.